



Cat[®] 908K

COMPACT WHEEL LOADER

FEATURES:

The Cat[®] 908K delivers high performance with outstanding versatility. Spacious cab with joystick control keeps you comfortable throughout the work day, allowing you to get more done. Loader design delivers strength and durability with superior control.

- **High Performance** – With its high full turn tipping loads and breakout forces, the K Series delivers a powerful solution for all customer applications.
- **Ease of Operation** – State of the art electrohydraulic system provides low effort, fine control with fast cycle times. All-in-one joystick helps keep eyes on the work. Operator can adjust machine responsiveness with the push of a button, which allows the operator to set up the machine exactly the way they want it based on the application.
- **Cat Optimized Z-bar Loader Linkage** – The Cat optimized Z-bar loader linkage combines the digging efficiency of a traditional Z-bar with tool carrier capabilities for great performance and versatility. With parallel lift and high tilt forces throughout the working range you can safely and confidently handle loads with precise control.
- **Power Train** – Heavy duty axles and 100% diff-lock come standard on both the 20 km/h (12 mph) standard speed machine as well as the 35 km/h (22 mph) high speed option. Ride control is also available as an option, for added comfort and load retention when having to travel longer distances.
- **Versatility** – Whether using a Pin-On, ISO (wide) or Skid Steer Loader (SSL) style coupler, combined with standard flow or optional high flow hydraulics, the Cat Compact Wheel Loaders can use a large range of work tools including hydro mechanical work tools.
- **Serviceability** – The design of the K Series allows quick and easy servicing. Tilt up engine hood and side service doors give exceptional access to the major components safely from ground level. S-O-SSM oil ports and pressure test points enable easy preventative maintenance.
- **Cab** – High visibility cab increases comfort with an available deluxe seat, intuitive controls and settings. Optional soft touch pad contains new electronic functions and settings including Implement Modulation and Hystat Aggressiveness, Ride Control, Return to Dig, Lift Kickout, Engine Speed Control, and Rimpull Control. Optional built-in Machine Security System prevents machine theft.

Specifications

Engine

| | | |
|-----------------------------|----------------|-------|
| Engine Model | Cat C3.3B DIT* | |
| Rated Net Power @ 2,500 rpm | | |
| SAE J1349 | 51 kW | 68 hp |
| Maximum Gross Power | | |
| ISO 14396 | 55 kW | 73 hp |
| SAE J1995 | 55 kW | 74 hp |
| Maximum Net Power | | |
| ISO 9249 | 52 kW | 69 hp |
| SAE J1349 | 51 kW | 68 hp |

*The Cat C3.3B DIT engine meets U.S. EPA Tier 4 Interim/EU Stage IIIA or U.S. EPA Tier 2/EU Stage II equivalent emission standards.

Weight

| | | |
|------------------|---------|-----------|
| Operating Weight | 6365 kg | 14,032 lb |
|------------------|---------|-----------|

Note: Machine with full fuel tank, ROPS/FOPS cab, 80 kg (176 lb) operator, skid steer loader coupler (SSL) and general purpose bucket (GP).

Buckets

| | | |
|-------------------|-------------------------|--|
| Bucket Capacities | | |
| ISO Coupler | 0.9-1.5 m ³ | |
| SSL Style Coupler | 1.2-2.0 yd ³ | |

Travel Speeds

| | | |
|------------|---------|----------|
| Speed 1 | 10 km/h | 6.2 mph |
| Speed 2 | 20 km/h | 12.4 mph |
| High Speed | 35 km/h | 21.7 mph |

Hydraulic System

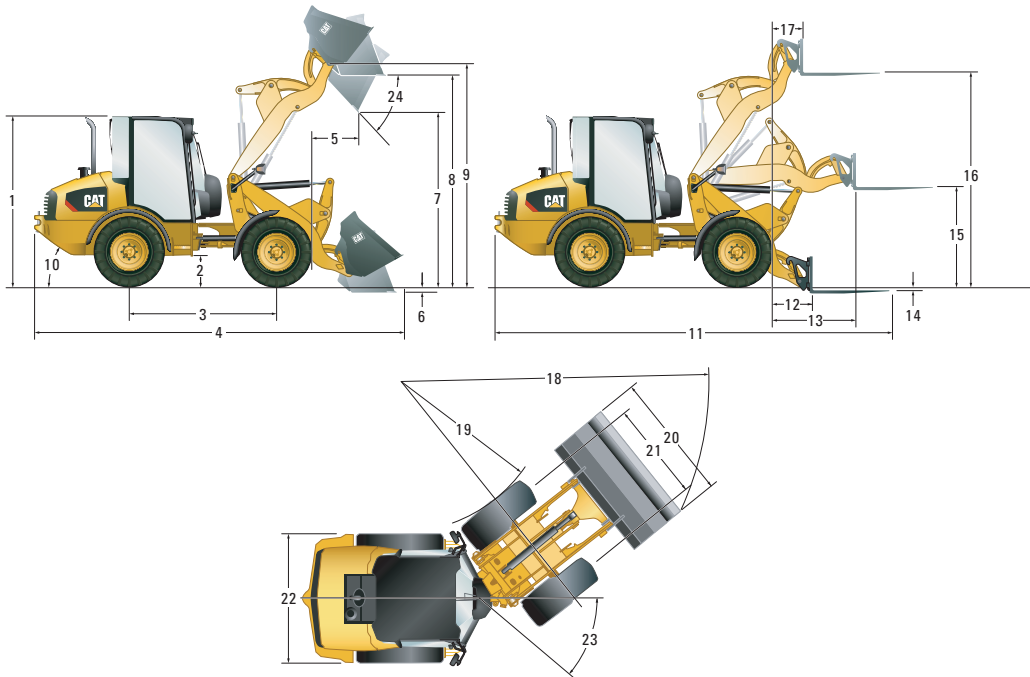
| | | |
|----------------------------|-------------|------------|
| Main Relief – 3rd Aux Flow | 235 bar | 3,400 psi |
| Standard | 85 L/min | 22 gal/min |
| High Flow | 130 L/min | 34 gal/min |
| Hydraulic Cycle Time | | |
| Lift | 5.2 seconds | |
| Lower | 3.2 seconds | |
| Dump | 1.3 seconds | |
| Rack Back | 2.1 seconds | |

Service Refill Capacities

| | | |
|------------------|--------|----------|
| Cooling System | 17 L | 4.5 gal |
| Fuel Tank | 78 L | 20.6 gal |
| Hydraulic System | 70 L | 18.5 gal |
| Engine Oil | 11.2 L | 3.0 gal |



908K Compact Wheel Loader



Dimensions

(All dimensions are approximate. Dimensions shown are based on the machine equipped with general purpose bucket and standard 405/70 SPT9 tires.)

| | With ISO Coupler | | With SSL Coupler | |
|---|------------------|-------------|------------------|-------------|
| 1 Cab Height | 2650 mm | 8 ft 8 in | 2650 mm | 8 ft 8 in |
| 2 Ground Clearance | 340 mm | 13 in | 340 mm | 13 in |
| 3 Wheelbase | 2170 mm | 7 ft 1 in | 2170 mm | 7 ft 1 in |
| 4 Overall Length with Bucket | 5630 mm | 18 ft 5 in | 5760 mm | 18 ft 11 in |
| 5 Reach at Maximum Dump Height | 770 mm | 2 ft 6 in | 855 mm | 2 ft 10 in |
| 6 Dig Depth | 101 mm | 3.9 in | 95 mm | 3.7 in |
| 7 Maximum Dump Height | 2620 mm | 8 ft 7 in | 2540 mm | 8 ft 4 in |
| 8 Load Over Height | 3215 mm | 10 ft 7 in | 3215 mm | 10 ft 7 in |
| 9 Hinge Pin at Maximum Height | 3410 mm | 11 ft 2 in | 3410 mm | 11 ft 2 in |
| 10 Departure Angle (Degrees) | 33° | | 33° | |
| 11 Overall Length with Forks | 6016 mm | 19 ft 8 in | 6150 mm | 20 ft 2 in |
| 12 Reach at Ground Level | 789 mm | 2 ft 7 in | 925 mm | 3 ft |
| 13 Maximum Reach | 1309 mm | 4 ft 3 in | 1445 mm | 4 ft 9 in |
| 14 Fork Depth Below Ground (Above Ground) | 71 mm | 2.8 in | 30 mm | 1.2 in |
| 15 Fork Height at Maximum Reach | 1450 mm | 4 ft 9 in | 1525 mm | 5 ft |
| 16 Maximum Fork Height | 3324 mm | 10 ft 10 in | 3300 mm | 10 ft 10 in |
| 17 Fork Reach at Maximum Height | 460 mm | 1 ft 6 in | 595 mm | 1 ft 11 in |
| 18 Turning Radius Over Bucket | 4530 mm | 14 ft 10 in | 4560 mm | 15 ft |
| 19 Turning Radius Inside Tire | 2080 mm | 6 ft 10 in | 2080 mm | 6 ft 10 in |
| 20 Width Over Bucket | 2080 mm | 6 ft 10 in | 2060 mm | 6 ft 9 in |
| 21 Tire Gauge | 1570 mm | 5 ft 2 in | 1570 mm | 5 ft 2 in |
| 22 Machine Width | 1985 mm | 6 ft 6 in | 1985 mm | 6 ft 6 in |
| 23 Articulation Angle (Degrees) | 39° | | 39° | |
| 24 Dump Angle at Maximum Height (Degrees) | 45° | | 45° | |

908K Compact Wheel Loader

Operating Specifications

Machine with full fuel tank, ROPS/FOPS cab, 80 kg (176 lb) operator, either SSL or ISO coupler and general purpose bucket (GP).

| Coupler Type | ISO | | SSL | |
|--|--------------------|---------------------|--------------------|---------------------|
| | 405/70 R20 | | 405/70 R20 | |
| Tire Size | 405/70 R20 | | 405/70 R20 | |
| Operating Weight | 6350 kg | 13,995 lb | 6365 kg | 14,032 lb |
| Rated Bucket Capacity | 1.1 m ³ | 1.4 yd ³ | 1.1 m ³ | 1.4 yd ³ |
| Breakout Force, Bucket | 61 kN | 13,712 lb | 47 kN | 10,566 lb |
| Rated Operating Load at Full Turn, Bucket | 2013 kg | 4,438 lb | 1885 kg | 4,156 lb |
| Straight Tipping Load, Bucket | 4940 kg | 10,891 lb | 4630 kg | 10,207 lb |
| Full Turn Static Tipping Load, Bucket | 4025 kg | 8,874 lb | 3770 kg | 8,311 lb |
| Rack Back, Transport Position | 52° | | 52° | |
| Rated Operating Load at Full Turn, Forks (EN 474-3:2006, firm and level ground, 1.25 stability and 500 mm [20 in] load center) | 2523 kg | 5,561 lb | 2355 kg | 5,192 lb |

Cab Features

| Standard Cab Features | Comfort Cab | Deluxe Cab | Canopy |
|--|-------------|------------|--------|
| Cup Holder | • | • | • |
| Two Access Doors | • | • | |
| Fixed Steering Column | | | • |
| Adjustable Steering Column | • | • | |
| Vinyl Suspension Seat | | | • |
| Cloth Suspension Seat, Arm Rest | • | | |
| Cloth, Electric Air Suspension, Arm/Head Rest, Lumbar Support and Heated Back Seat | | • | |
| Left Window – Sliding | • | • | |
| Right Window – Sliding | | • | |
| Heated Rear Window | • | • | |
| Coat Hook | • | • | • |
| Cabin Light | • | • | |
| Sun Visor | • | • | • |
| Radio-ready Kit (wiring, speaker, aerial and grilles) | | • | |
| External Knock Back Mirrors | • | • | • |
| Lockable Storage Box | • | • | • |
| Adjustable Internal Mirror | • | • | • |
| Heater | • | • | |
| Optional Cab Features | | | |
| Air Conditioner | • | • | |
| Cat Radio/CD/MP3/WMA/AUX | • | • | |
| Rear Blind | • | • | |
| Machine Security System | • | • | |
| Radio-ready Kit (wiring, speaker, aerial and grilles) | • | | |

Maximum Material Densities

Based on ISO 7546:1983, and rated operating loads at full turn.

| Bucket Type | General Purpose | | Multi Purpose | | Light Material | |
|--------------------------|------------------------|--------------------------|------------------------|--------------------------|------------------------|--------------------------|
| Rated Capacity | 1.1 m ³ | 1.4 yd ³ | 0.9 m ³ | 1.2 yd ³ | 1.5 m ³ | 2.0 yd ³ |
| Dump Height | 2540 mm | 100 in | 2630 mm | 104 in | 2345 mm | 92 in |
| Maximum Material Density | 1549 kg/m ³ | 2,611 lb/yd ³ | 1929 kg/m ³ | 3,251 lb/yd ³ | 1034 kg/m ³ | 1,743 lb/yd ³ |
| Bucket Width | 2060 mm | 81 in | 2060 mm | 81 in | 2080 mm | 82 in |

908K Compact Wheel Loader

STANDARD EQUIPMENT

TRANSMISSION/HYDRAULICS

- 100% differential lock on both axles, selectable on the move
- 18° frame oscillation, 78° articulation
- Transmission, 20 km/h (12.4 mph) with heavy duty axles
- Transmission inching function
- Hydrostatic drive
- Work tool quick coupler
- Proportional auxiliary hydraulic circuit
- Loader arm float function
- Connect under pressure hydraulic quick connector
- Parallel lift Z-bar loader
- Demand based cooling fan

ENGINE

- Cat C3.3B DIT Tier 4 Interim/Stage IIIA or Tier 2/Stage II equivalent engine
- Two stage air cleaner with visual indicator
- Cat extended life coolant
- Lockable engine compartments
- Easy quick release fuel filter/water separator

- Engine oil drain valve (non spill eco drain)
- Closed circuit breather
- Eco mode

ELECTRICAL

- Cab mounted fuse panel
- Battery disconnect switch
- Heavy duty battery, 12V
- Engine cold starter aid
- Alternator 90 amp
- Service point connector for electronic diagnostics (Electronic Technician™)
- Reverse alarm

GENERAL

- E-coat paint primer
- Pressure test points
- Recovery hitch and pin
- Scheduled Oil Sampling S-O-S ports

OPERATOR ENVIRONMENT

- Cup holder
- Sun visor
- ROPS and FOPS certified canopy/cab

- Adjustable wrist rest
- Retractable seat belt
- Auxiliary power sockets
- Coat hook
- On board digital display cluster
- Sound suppression
- Multifunction joystick with direction control
- Two external knock back mirrors
- Warning indicators for major systems
- Easy clean cab floor
- Lockable storage box
- Adjustable internal mirror
- Operator station on isolation mounts
- Digital service hour meter
- Gauges: fuel hydraulic temp, coolant temp, speedometer
- Warnings: master, park brake, hydraulic oil pressure, engine oil pressure, coolant temp, electrical system, hydraulic filter bypass
- Suspended brake/accelerator pedals
- Suspension seat

OPTIONAL EQUIPMENT

TRANSMISSION

- Adjustable speed control (Creeper Control)
- Rimpull control
- Electronic throttle lock
- Adjustable Hystat response settings
- Ride control
- Speeder, 35 km/h (21.7 mph) with secondary steering

LOADER

- High flow auxiliary hydraulics with pressure relieving quick disconnect manifold
- Load check valves
- Return to dig work tool positioner
- Adjustable implement modulation

ENGINE

- Engine block heater 120V
- Precleaner for engine air filter

ELECTRICAL

- Machine Security System (MSS)
- Magnetic rotating beacon
- Work tool wiring harness
- Working lights, two front and two rear

GENERAL

- Custom color
- Rear light guards
- Tire options including heavy duty tires

FLUIDS

- Cat extended life coolant (-50° C/-58° F)

OPERATOR ENVIRONMENT

- Air conditioning
- Cat radio/CD/MP3/WMA/AUX
- Comfort cab includes: cloth suspension seat, heated rear window, sliding left window, coat hook, sun visor, radio ready and lockable storage box

- Deluxe cab includes: Comfort cab options plus heated cloth air suspension seat with lumbar support and right sliding window
- Radio ready kit including speakers (enclosed cab)
- Two doors (enclosed cab)
- Heated rear window (enclosed cab)
- Cabin light (enclosed cab)
- Pressurized cab (enclosed cab)
- Heater with window, side and feet vents (enclosed cab)
- Wiper/washer front and rear (enclosed cab)
- Rear blind

WORK TOOLS

- For all work tools and standard/high flow options (consult your Cat dealer)

For more complete information on Cat products, dealer services, and industry solutions, visit us on the web at www.cat.com

AEHQ7455 (03-15)

© 2015 Caterpillar
All Rights Reserved

Materials and specifications are subject to change without notice. Featured machines in photos may include additional equipment. See your Cat dealer for available options.

CAT, CATERPILLAR, SAFETY.CAT.COM, their respective logos, "Caterpillar Yellow" and the "Power Edge" trade dress, as well as corporate and product identity used herein, are trademarks of Caterpillar and may not be used without permission.

